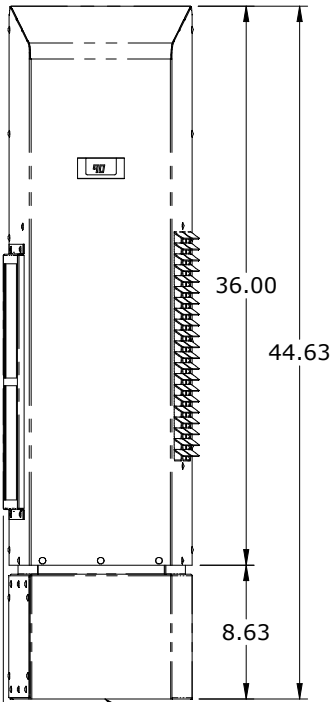
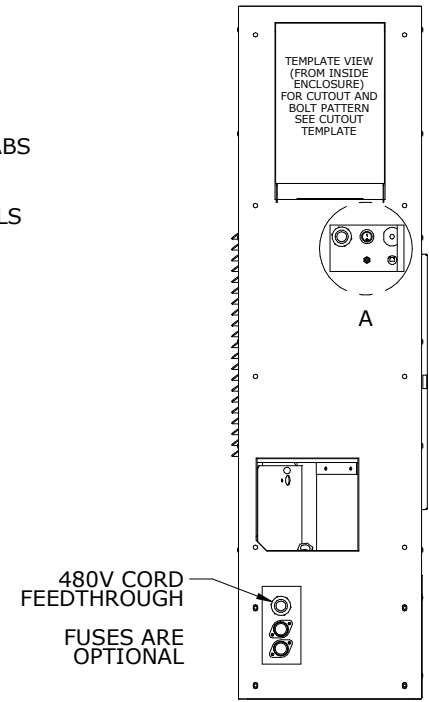
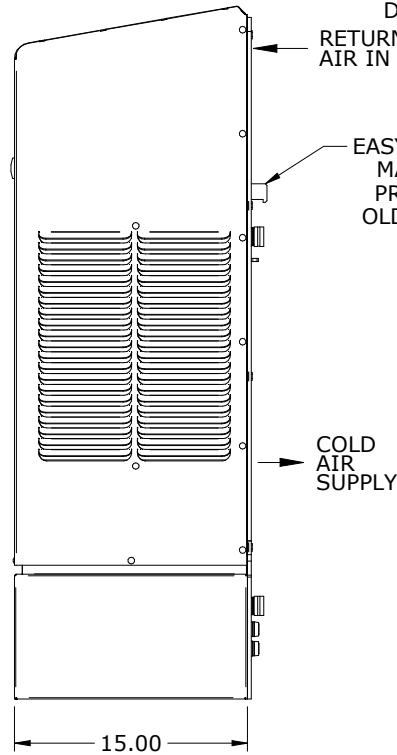


AMBIENT AIR IN.
REUSABLE FILTER:
1) SLIDING FRAME STANDARD
2) OPTIONAL 2" FILTER



CONDENSATE EMERGENCY OVERFLOW
11/16-16 STRAIGHT THREAD
MAXIMUM THREAD DEPTH .31"



TITLE		
NARROW EDGE 480 V NE060-486		
136 10/08	DWG NO NE060-486	REV
SCALE	WEIGHT	SHEET 1 OF 1