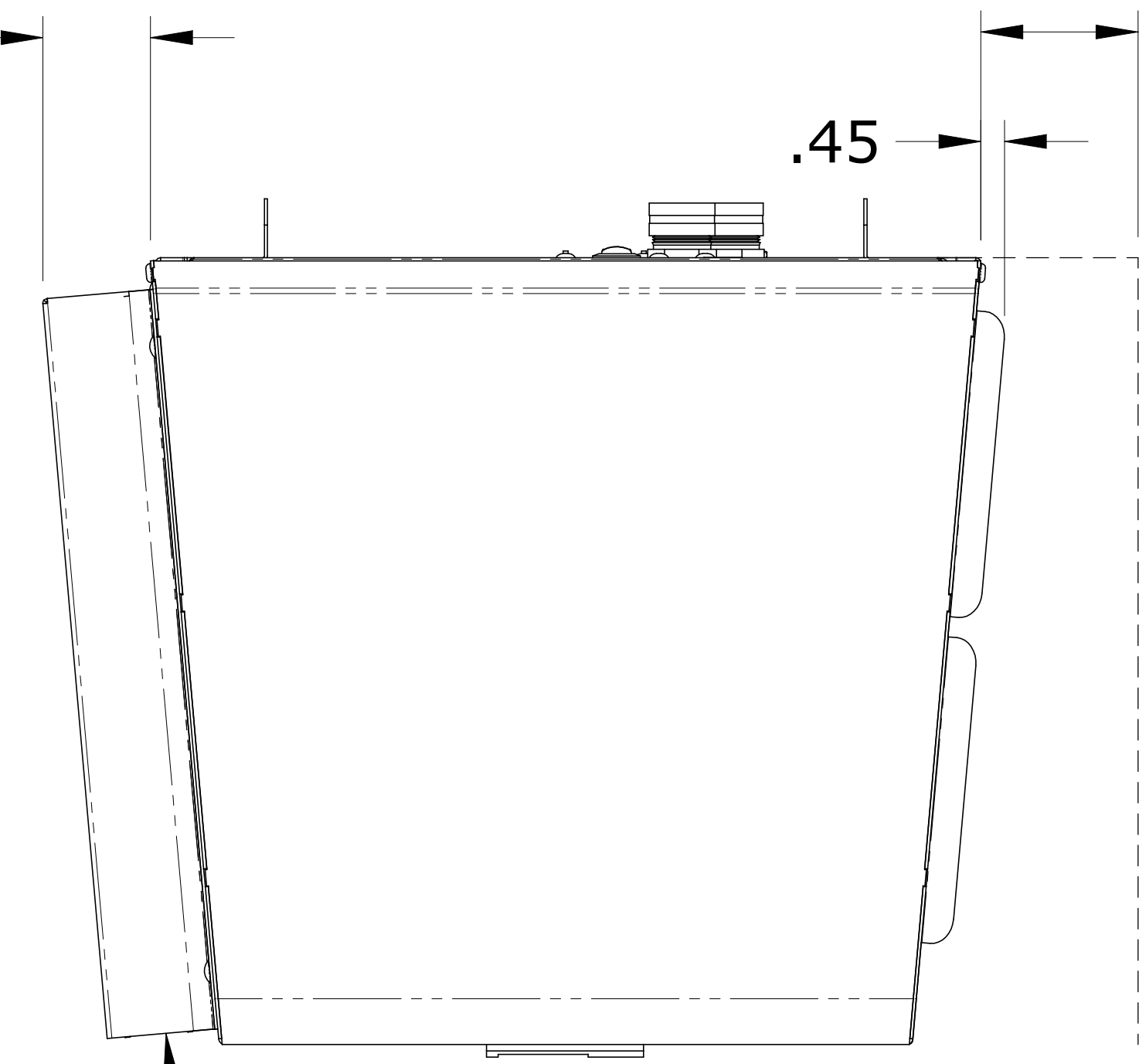


2.05
2" OPTIONAL FILTER

3.00
CLEARANCE
BOTH SIDES



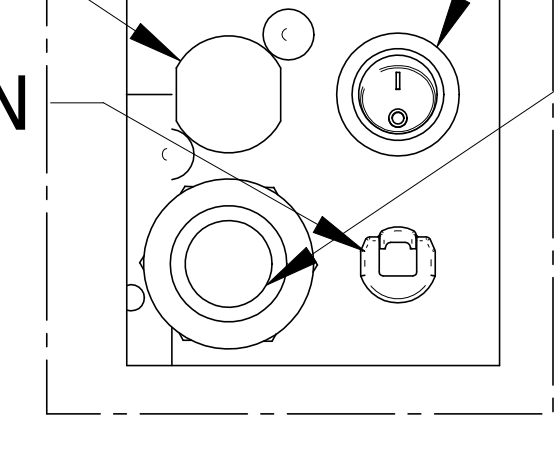
.45

OPTIONAL 2" PLEATED FILTER.
SLIDING FRAME ONLY.

(not used)
DRY CONTACT OPTION

POWER SWITCH (UL REQ'D 2008)

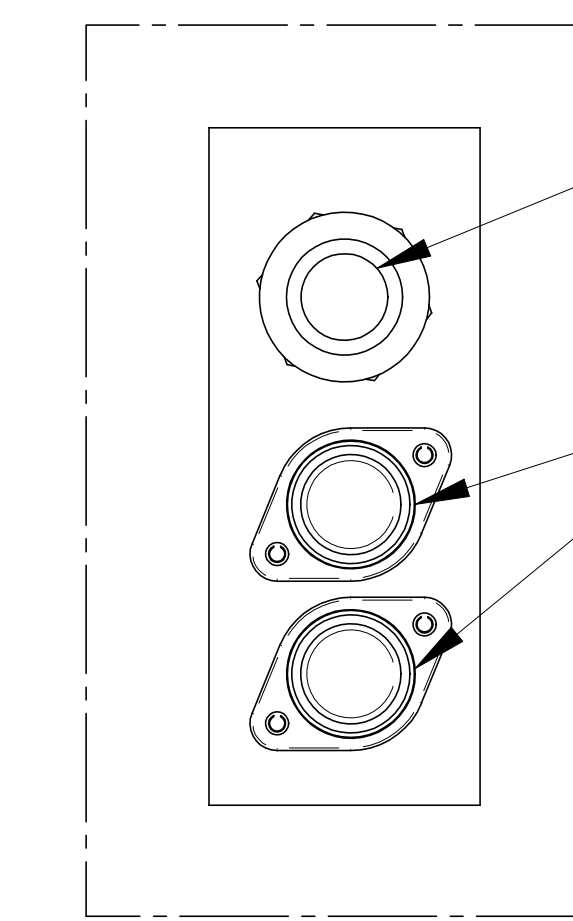
OD MODEL TEMPERATURE
CONTROLLER CORD FEED-THRU



DETAIL A

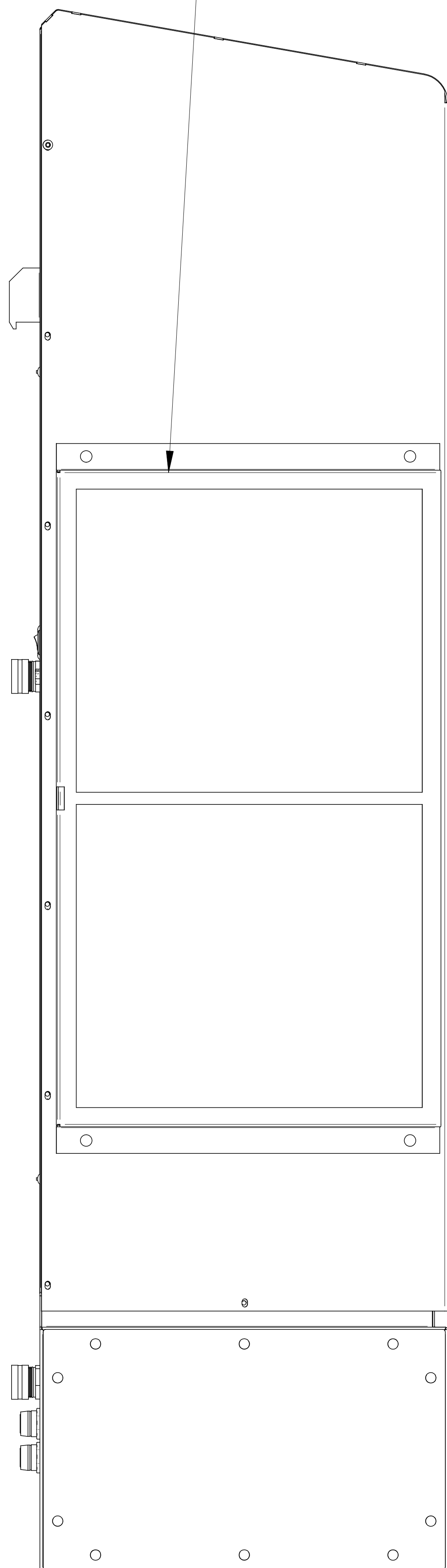
480 V CORD

OPTIONAL
FUSE(S)

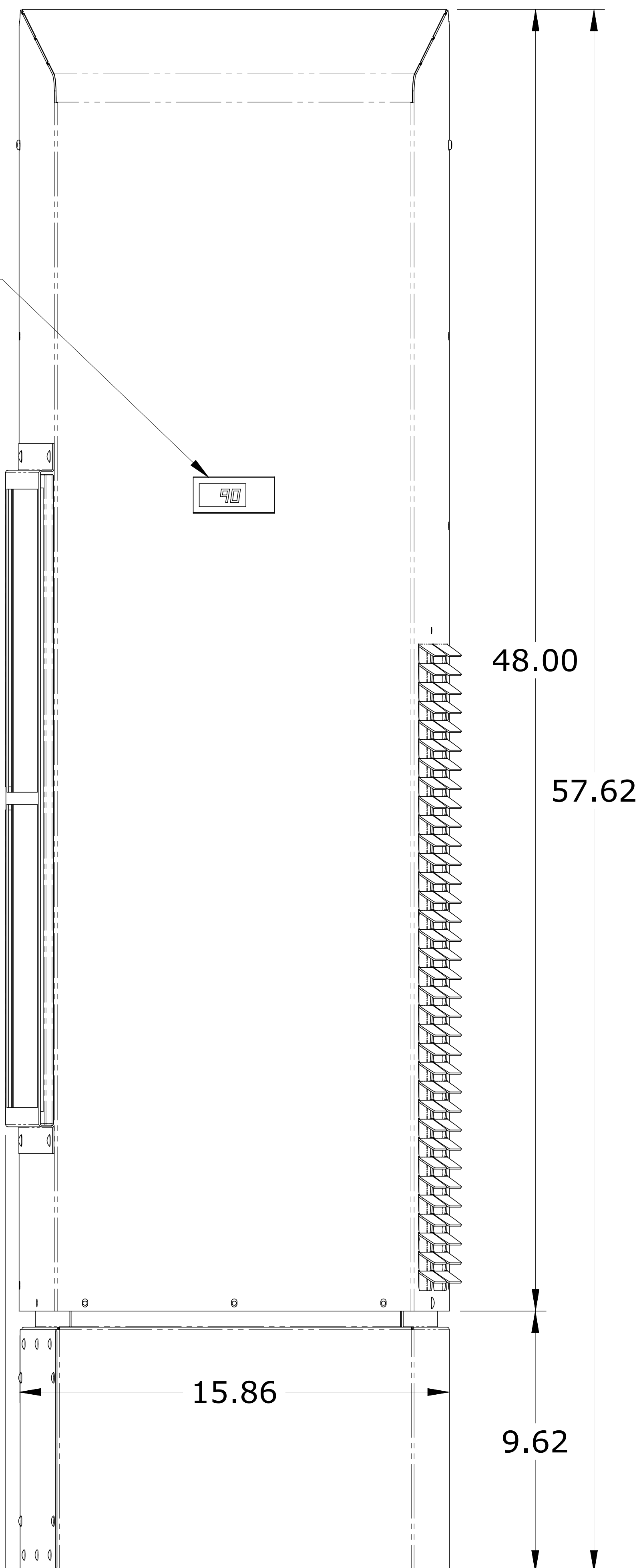


DETAIL B

AMBIENT AIR IN.
REUSABLE FILTER.
OPTIONAL FRAME:
1) SECURITY FRAME STANDARD
ON STAINLESS STEEL
2) SLIDING FRAME STANDARD
ON PAINTED
3) OPTIONAL 2" FILTER
WITH SLIDING FRAME ONLY



DIGITAL
TEMPERATURE
CONTROLLER



.50

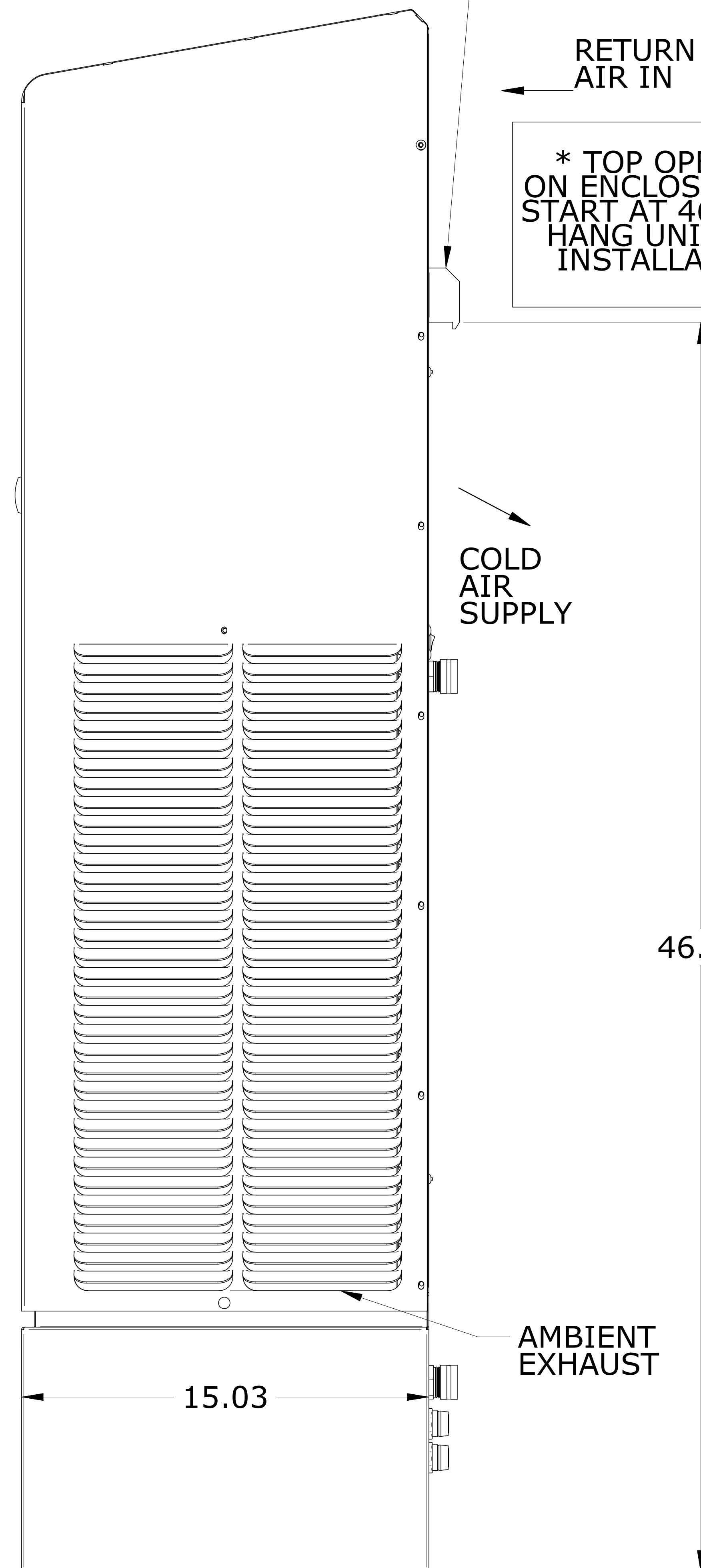
CONDENSATE EMERGENCY OVERFLOW
11/16-16 STRAIGHT THREAD
MAXIMUM THREAD DEPTH .31"

EASY HANG
MOUNTING

RETURN
AIR IN

* TOP OPENING
ON ENCLOSURE TO
START AT 46.09 TO
HANG UNIT FOR
INSTALLATION.

COLD
AIR
SUPPLY

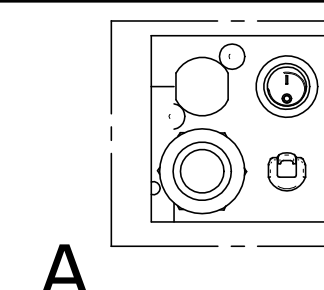
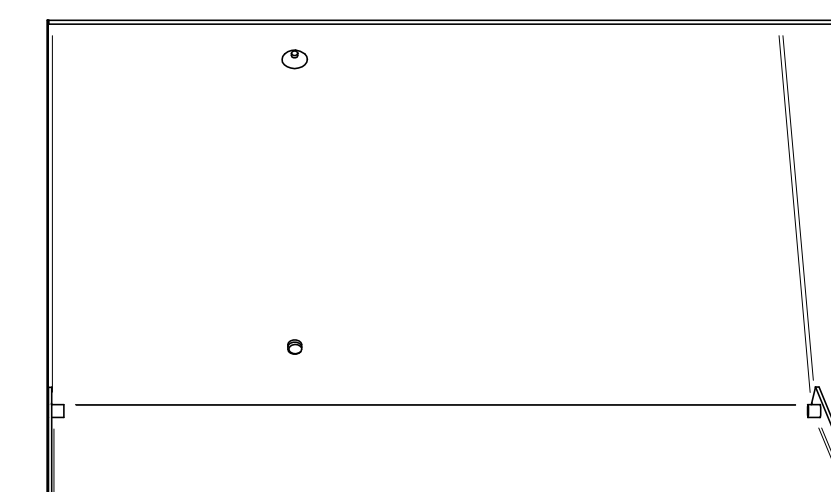


46.09

AMBIENT
EXHAUST

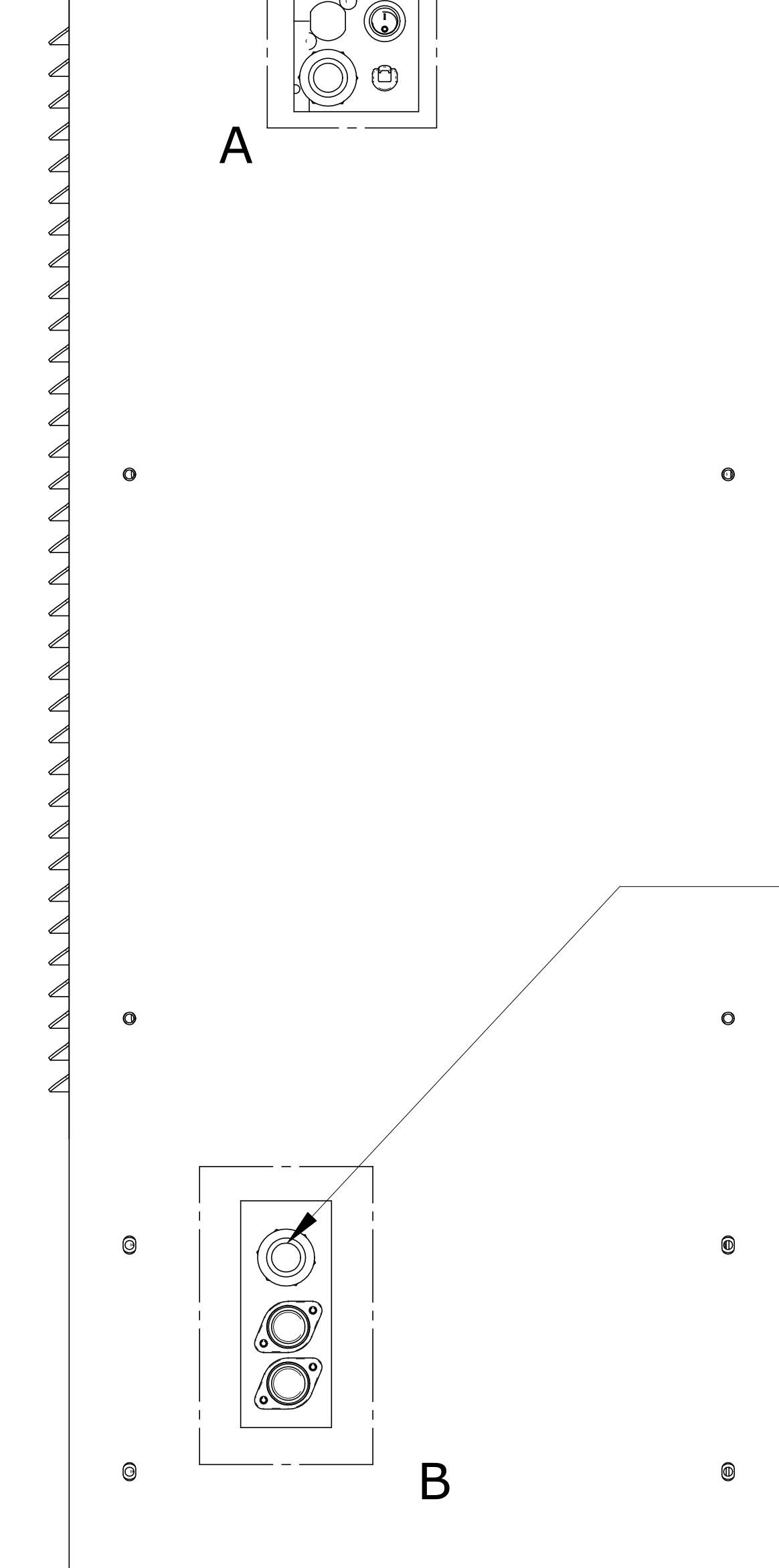
TEMPLATE VIEW
(FROM INSIDE
ENCLOSURE)
FOR CUTOUT AND
BOLT PATTERN
SEE CUTOUT
TEMPLATE

RETURN
AIR IN



A

COLD AIR
SUPPLY TO
ENCLOSURE
(EJECTED
DOWNWARD)



480V CORD
FEEDTHROUGH

FUSES ARE
OPTIONAL

B

TITLE			HIGH CAPACITY 480 V HC120-486
SIZE	DWG NO	REV	
136" x 100"	HC120-486		
SCALE:	WEIGHT:	SHEET 1 OF 1	