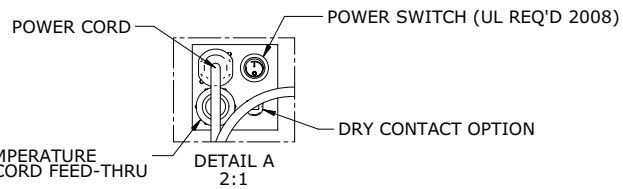
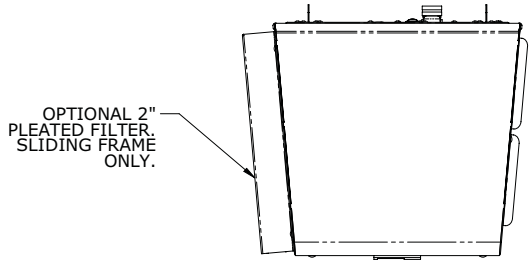
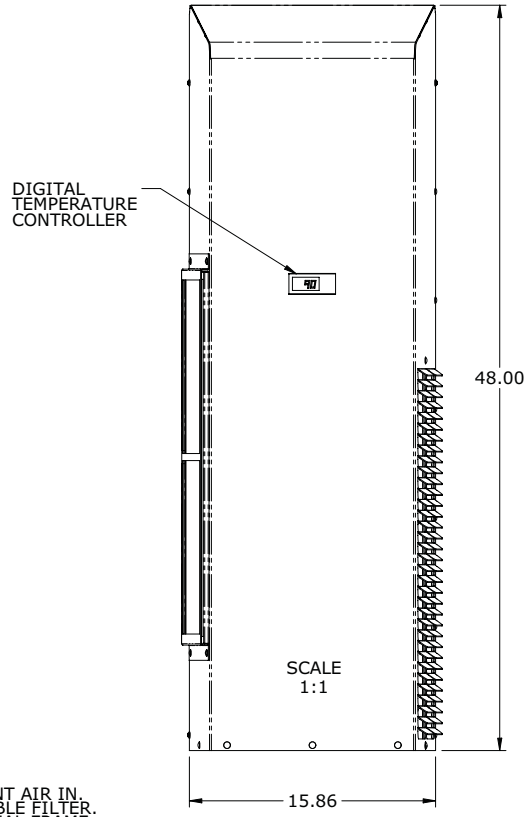
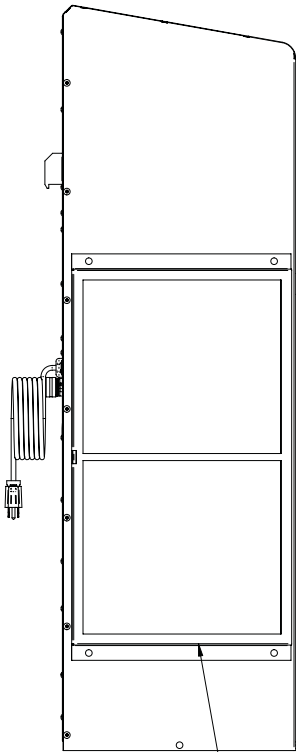


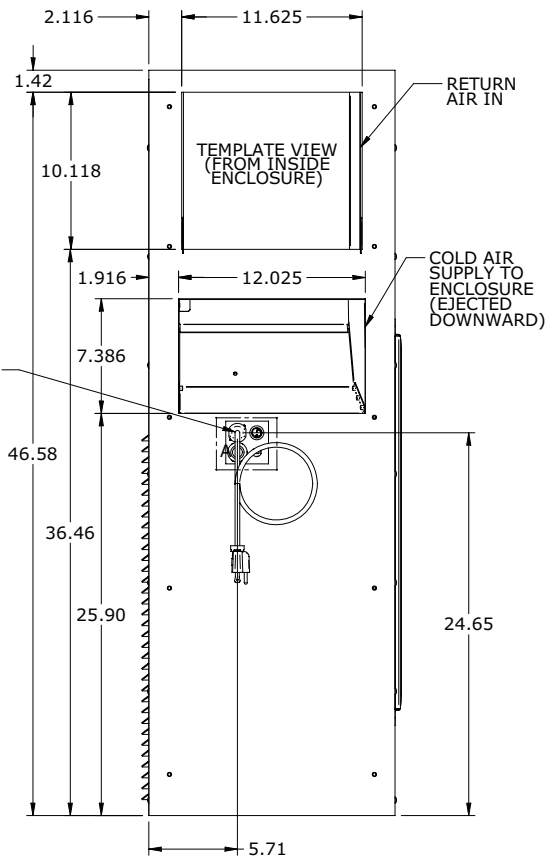
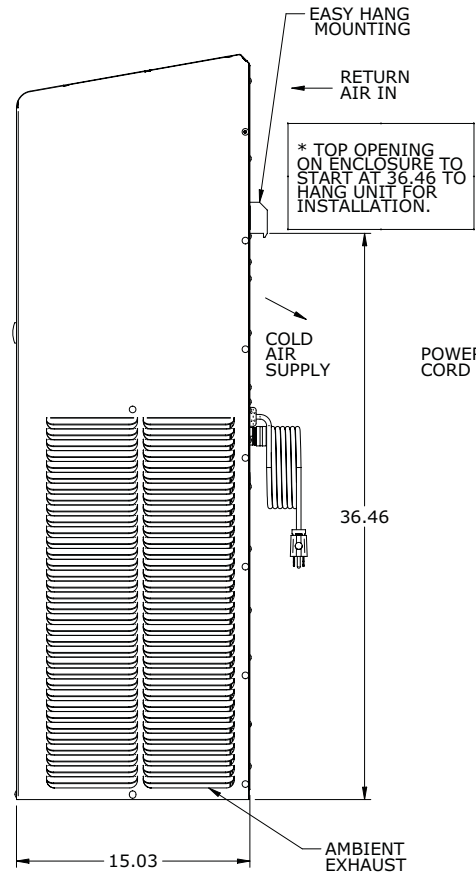
REVISION HISTORY			
REV	DESCRIPTION	DATE	APPROVED



OD MODEL TEMPERATURE CONTROLLER CORD FEED-THRU



AMBIENT AIR IN. REUSABLE FILTER. OPTIONAL FRAME:  
1) SECURITY FRAME STANDARD ON STAINLESS STEEL  
2) SLIDING FRAME STANDARD ON PAINTED  
3) OPTIONAL 2" FILTER WITH SLIDING FRAME ONLY



DRAWN	NAME	DATE	TITLE	
CHECKED	atittle	04/22/09	HIGH CAPACITY HC155	
ENG APPR			SCALE	WEIGHT
MGR APPR				
UNLESS OTHERWISE SPECIFIED DIMENSIONS ARE IN INCHES			SIZE	DWG NO
ANGLES 41° or 1 PL ±0.5°			1/8"	HC155
2 PL ±0.02 3 PL ±0.010			FILE NAME:	REV
			tel_hc_155_drawing.dft	
			SHEET 1 OF 1	