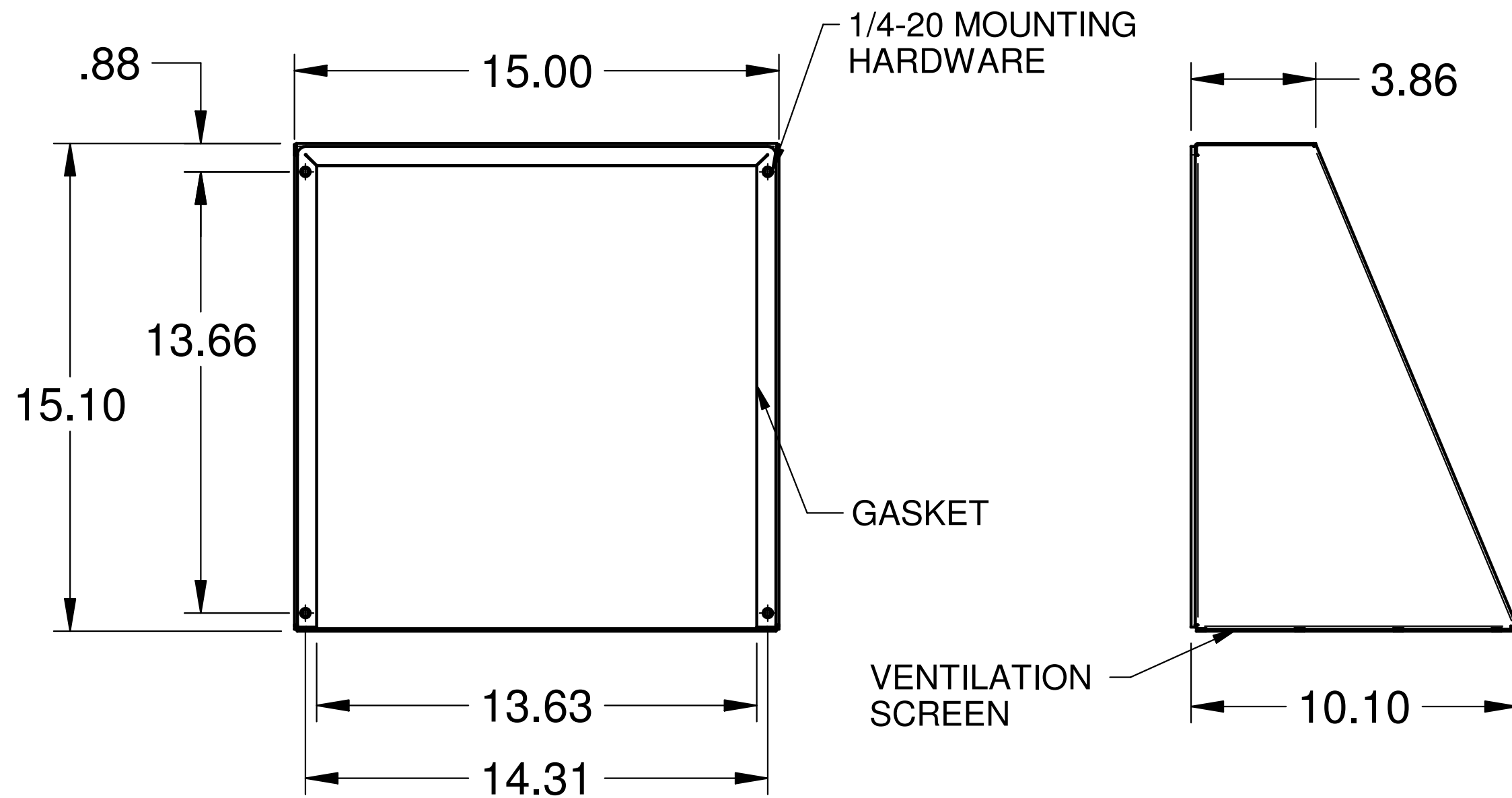


| REVISION HISTORY | | | |
|------------------|-------------|------|----------|
| REV | DESCRIPTION | DATE | APPROVED |
| | | | |



| | | | | | |
|--|---------|----------|--|-----------------|-----|
| | NAME | DATE | | | |
| DRAWN | atittle | 01/14/08 | | | |
| CHECKED | | | TITLE | | |
| ENG APPR | | | NEMA 3R RAIN SHROUD FOR 500 SERIES FILTER FAN | | |
| MGR APPR | | | | | |
| UNLESS OTHERWISE SPECIFIED DIMENSIONS ARE IN INCHES 2 PL ±.030 | | | SIZE | DWG NO | REV |
| | | | B | 3R500FFP | |
| | | | FILE NAME: 3R500.dft | | |
| SCALE: | | WEIGHT: | SHEET 1 OF 1 | | |