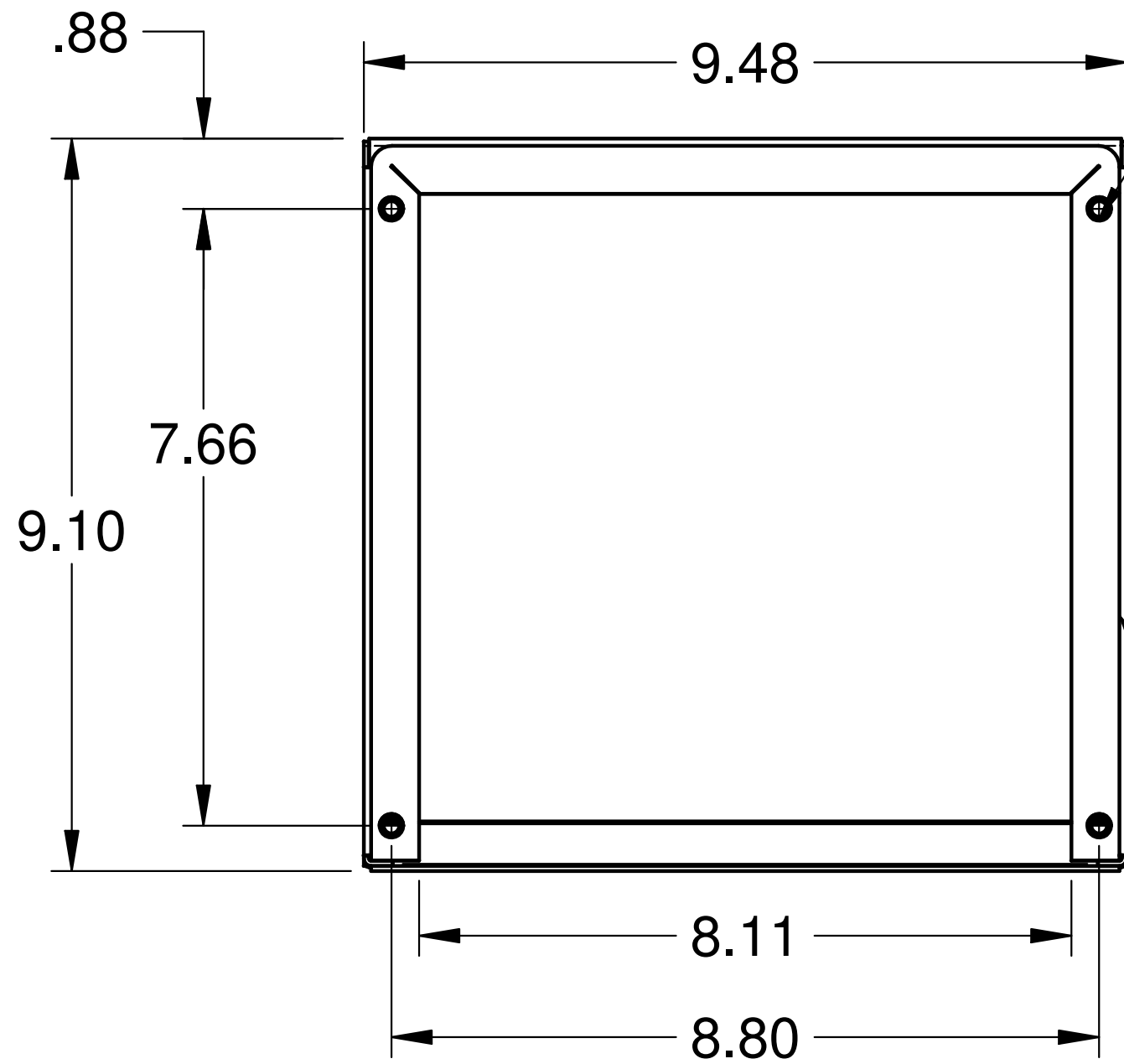


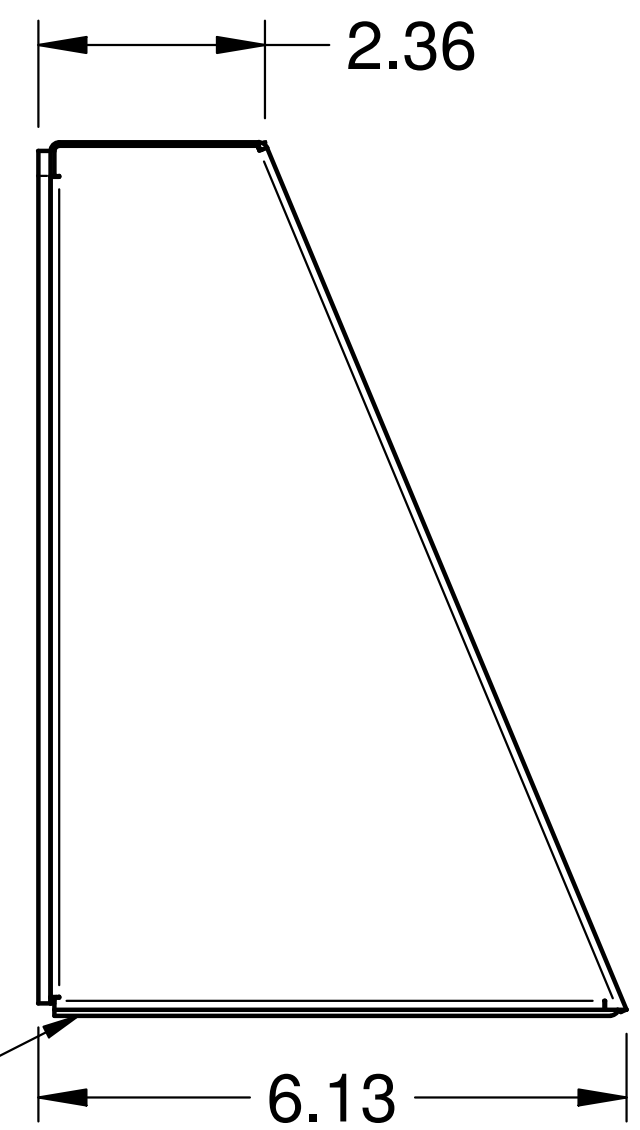
REVISION HISTORY			
REV	DESCRIPTION	DATE	APPROVED



1/4-20 MOUNTING HARDWARE

GASKET

VENTILATION SCREEN



	NAME	DATE
DRAWN	atittle	01/14/08
CHECKED		
ENG APPR		
MGR APPR		

TITLE		NEMA 3R RAIN SHROUD FOR 100 SERIES FILTER FAN	
SIZE	DWG NO		REV
B	3R100FFP		
FILE NAME: 3R100.dft			
SCALE:		WEIGHT:	SHEET 1 OF 1

UNLESS OTHERWISE SPECIFIED
DIMENSIONS ARE IN INCHES
2 PL ±.030